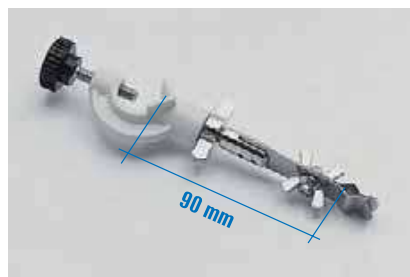




BOSSEHEAD FOR THERMOMETERS

Thermometer support for water and oil baths with locking screw (up to 40 mm). Thermometer rod diameters up to 7mm Ø.

Part No. **6000896**



THERMOMETER CLAMP

Swivel bosshead and press lock, made of AISI 304 stainless steel. For Ø from 6-15 mm.

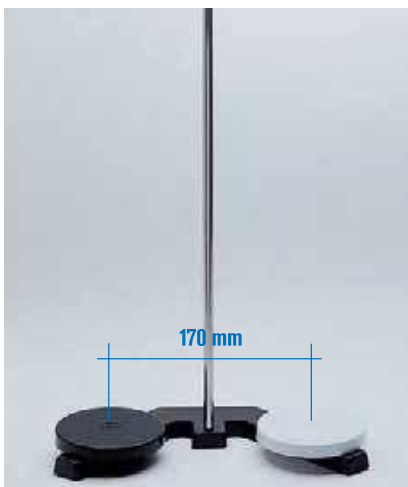
Part No. **6000036**



THERMOMETER CLAMP

Hook at one end for a thermometer. Chrome plated.

Part No. **1000037**



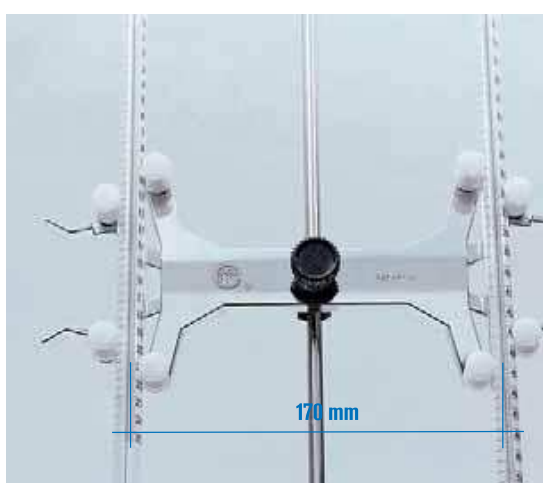
BURETTE STAND

With AISI 304 stainless steel rod of 10 mm Ø x 600 mm high. Weight 2 Kg. Made specifically for the "DUPLEX" burette clamp with two plates at the base, black and white.

Part No. **6000117**



Model burette stand Part no. 6000117 and double burette part no. 7000181



DOUBLE BURETTE CLAMP "DUPLEX"

Self adjusting clamp for 2 burettes, with central bosshead screw. Made of Chrome plated metal with PVC coated jaws. Enables complete visibility of the burette scale while being held. Part No. **7000181**



BURETTE CLAMP "TRIPS"

Made of chrome plated metal for Ø from 4 to 20 mm.

Part No. **7000521**



BOSSEHEAD BURETTE AND TUBE CLAMP "TRIPS"

Made of chrome plated metal for Ø from 4 to 20 mm.

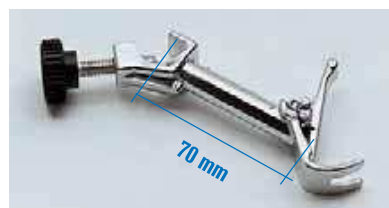
Part No. **7005211**



SPRING CLAMP FOR BURETTES AND THERMOMETERS "AUTOMATIC"

Made of chrome plated metal with spring clamp jaw. For Ø from 0 to 25 mm. Designed for test tubes.

Part No. **7000025**



BOSSEHEAD WITH "AUTOMATIC" CLAMP FOR BURETTES AND THERMOMETERS

Made of chrome plated metal with spring clamp jaw. For Ø from 0 to 25 mm.

Part No. **7000251**